



SECURE-TECH

DETENTION ELECTRONIC SYSTEMS
ETECH CONTROLS CORPORATION - MANUFACTURER
4051 ALVIS COURT #3, ROCKLIN, CALIFORNIA, USA 95677
TEL (916) 630-1300 • FAX (916) 630-1100 • FREE (800) 800-2523

MODEL HC-0828

50 POINT TESTER

FEATURES:

- 50 SWITCHES
- 50 STATUS LEDs
- 2 YEAR WARRANTY

FUNCTIONAL DESCRIPTION:

The HC-0828 provides a convenient means to test fifty separate circuits. Each circuit has a status LED and an on-off switch. A red LED indicates when the circuit is low. A switch is provided to ground the circuit.

INPUTS / OUTPUTS:

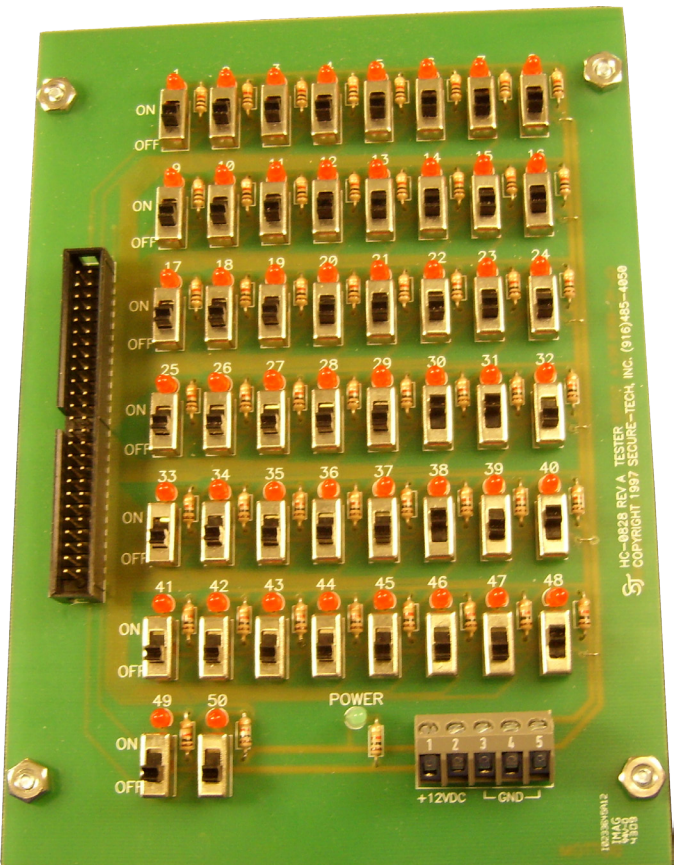
Power supply conductors terminate to a compression type screw terminal strip, sized for 22 to 14 AWG stranded conductors. Two 50-conductor ribbons are provided to interface with the various Secure-Tech modules.

Ribbon 1 connectors:

1. 50-pin female
2. 25 pair male
3. 25 pair female

Ribbon 2 connectors:

1. 50-pin female
2. 50-pin female
3. 26-pin female
4. 16-pin female
5. 10-pin female



SIZE:

5.00" W x 7.00" L x 0.54" D
127mm W x 177.8mm L x 13.7mm D

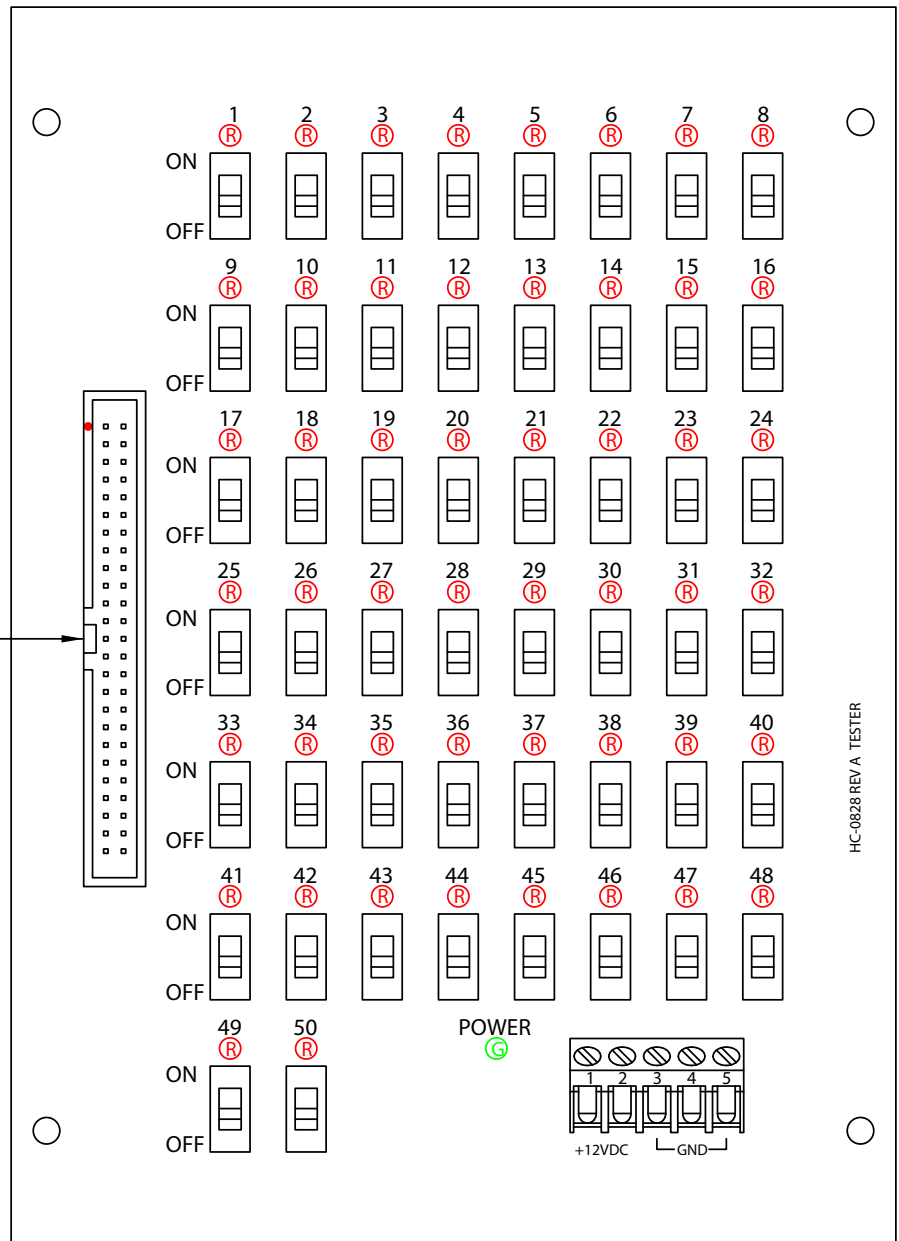
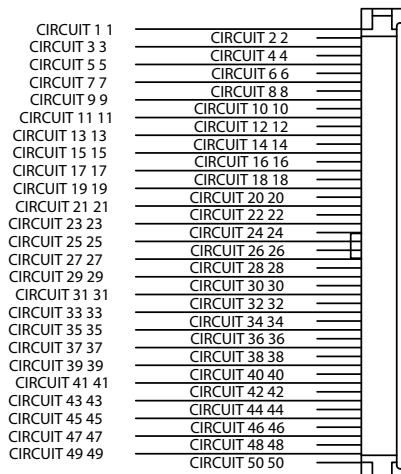
POWER:

12 - 14 VDC, 1.02 amps max, green LED indicated

MODEL

HC-0828 50 POINT TESTER

HOOK-UP DIAGRAM



HC-0828 REV A TESTER