



SECURE-TECH

DETENTION ELECTRONIC SYSTEMS
ETECH CONTROLS CORPORATION - MANUFACTURER
4051 ALVIS COURT #3, ROCKLIN, CALIFORNIA, USA 95677
TEL (916) 630-1300 • FAX (916) 630-1100 • FREE (800) 800-2523

**MODEL
HC-0695
HC-0724**

8 RELAY UTILITY - SOCKETED - 10 AMP/40 AMP

FEATURES:

- INTERPOSING DEVICES (DRY CONTACT RELAYS)
- 8 SWITCH INPUTS
- 8 RED STATUS LEDS
- 3.25" SNAP TRACK MOUNT
- 2 YEAR WARRANTY

HC-0695

SOCKETED - 10 AMP Utility Relay Module

FUNCTIONAL DESCRIPTION:

The HC-0695 interfaces between control panels and door locks, lighting circuits, HVAC, etc.

The relay contacts are rated as follows:

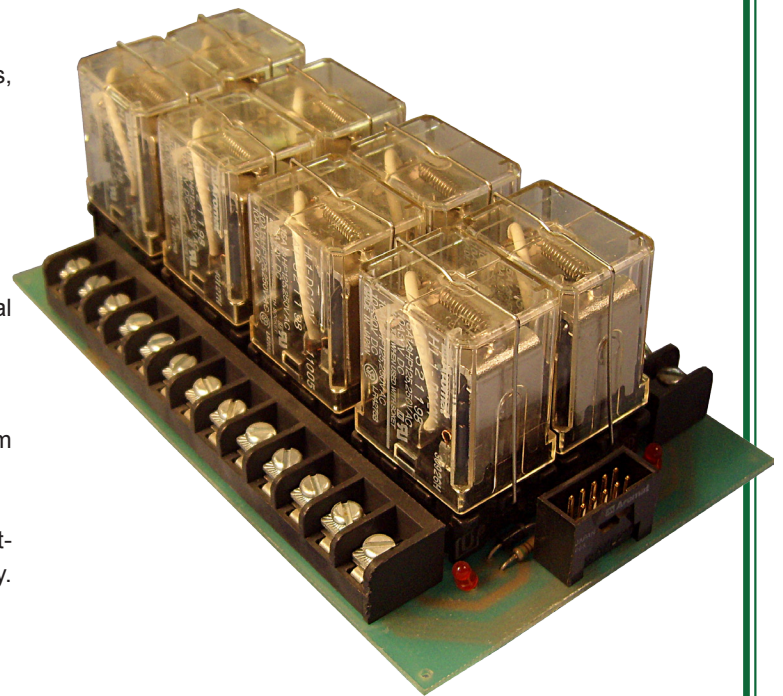
FORM C	UL class B	CSA
277 VAC	6 AMPS	6 AMPS
125 VAC	10 AMPS	10 AMPS
30 VDC	5 AMPS	5 AMPS

The outputs are connected to saddle clamp type screw terminal strips, sized for 22 to 12 AWG stranded conductors.

POWER:

12 - 14 VDC, 240ma **SIZE**
3.25" W x 5.50" L x 1.90" D - 82.5mm
W x 139.7mm L x 48.2mm D

Eight control switch inputs are provided. Eight form C relay outputs are provided. A red status LED is provided for each relay.



HC-0724

HI-POWER- 277 VAC / 40 AMP Pluggable Relay Module

FUNCTIONAL DESCRIPTION:

The HC-0724 interfaces between control panels and high amperage field devices like door locks, lighting circuits, etc.

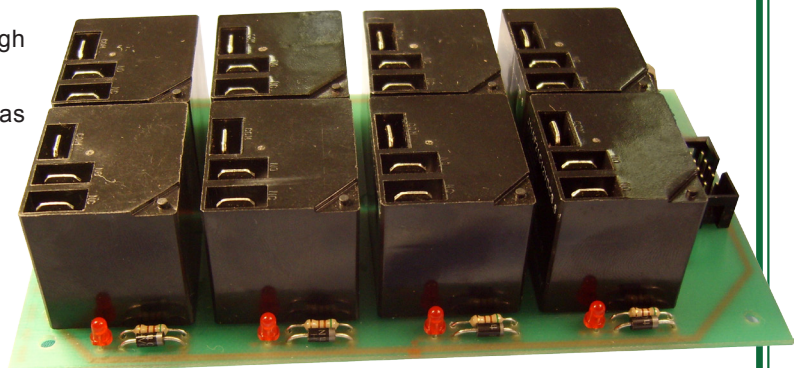
Each relay is UL Class F approved with contacts rated as follows:

LOAD TYPE	N.O.	N.C.
Resistive 240 vac	40 Amps	30 Amps
General 277 vac	30 Amps	20 Amps
Inductive 250 vac	2.0 Hp	1.5 Hp
DC-30 vdc	40 Amps	30 Amps

The outputs are 0.25" male spade lugs on the relays. Use mating female crimp type wire lugs.

POWER:

12 - 14 VDC, 800ma **SIZE**
3.25" W x 5.75" L x 1.17" D 8

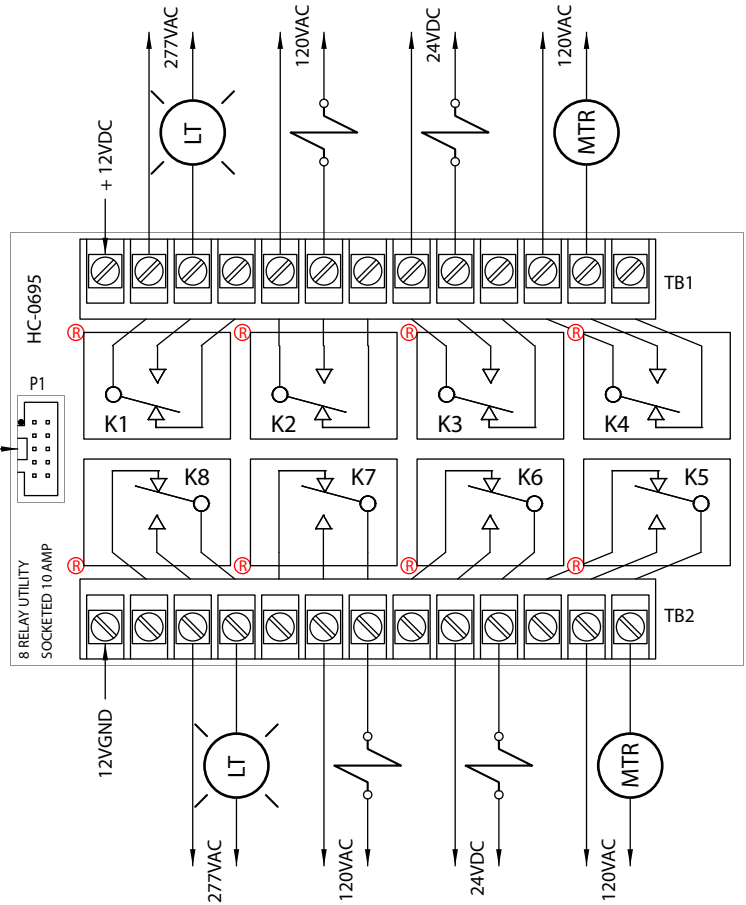
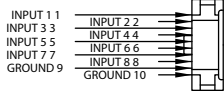


Eight control switch inputs are provided. Eight form C relay outputs are provided. A red status LED is provided for each relay.

ST The Sign of Excellence

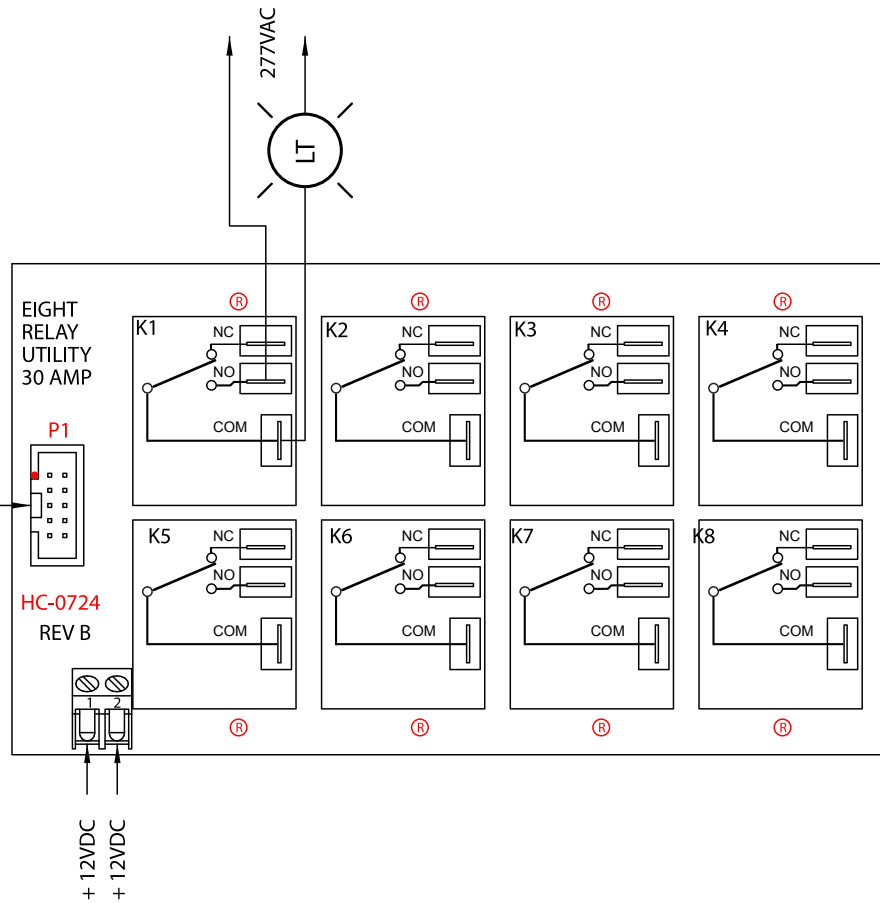
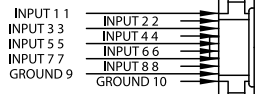
MODEL HOOKUP DIAGRAMS

CONTROL INPUTS -
 INPUT 1 = PIN 1 THRU
 INPUT 8 = PIN 8
 INPUT 9 = GROUND
 INPUT 10 = GROUND



**HC-0695 - 8 RELAY
 UTILITY - SOCKETED -
 10 AMP**

CONTROL INPUTS -
 INPUT 1 = PIN 1 THRU
 INPUT 8 = PIN 8
 INPUT 9 = GROUND
 INPUT 10 = GROUND



**HC-0724 - 8 RELAY
 UTILITY - 30 AMP**