



SECURE-TECH.com

DETENTION ELECTRONIC SYSTEMS

ETECH CONTROLS CORPORATION - MANUFACTURER

4051 ALVIS COURT #3, ROCKLIN, CALIFORNIA, USA 95677

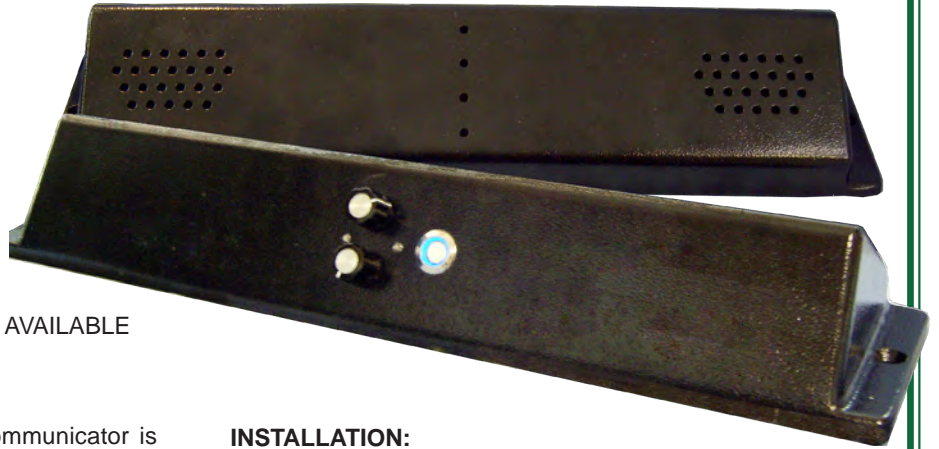
TEL (916) 630-1300 • FAX (916) 630-1100 • FREE (800) 800-2523

**MODEL
JUSTTALK**

DUPLEX TALK THROUGH COMMUNICATOR

FEATURES:

- FULL DUPLEX COMMUNICATION
- HANDS FREE OPERATION
- STYLISH APPEARANCE
- MUTE AND PRIVACY OPTION
- MONITOR AND RECORD
- TAMPER RESISTANT DESIGN
- 2 YEAR WARRANTY
- ROTARY OR P.B. VOLUME CONTROL AVAILABLE



FUNCTIONAL DESCRIPTION:

The "JUSTTALK" Duplex Talk Through Communicator is designed for staff or attorney/client interview rooms, visitation booths, control room to corridor, and other applications requiring communication through a security glass partition or wall. Full duplex two-way communication is provided. The talk through communicator frequency range is 400 to 4000 Hz \pm 3 db. . Each pair of units is tuned to the installed location environment to maximize sound levels. The result is very natural hands free communication.

JUSTTALK The base system consists of a pair of identical units, typically one on each side of a viewing window or wall. Usually used for visitation. Order model **JUSTTALK**.

JUSTTALK-M Two switches allow an attorney or staff to silence (off) the voice output from the inmate side; or to mute (off) the staff/attorney's side output for privacy. Provided with audio lineout function to allow monitoring and recording. Order model **JUSTTALK-M**.

JUSTTALK-V2 Two volume controls allow an attorney or staff to adjust the inmate and staff talk volume from an inmate conversation level to a monitor minimum and a staff/attorney conversation level to mute (off) unit for privacy. Provided with audio lineout function to allow monitoring and recording. Rotary or 4-Level P.B. Volume Control available. Order model **JUSTTALK-V2** or **JUSTTALK-V2-PB**.

SIZE:

2.52" H x 4.44" D x 17.0" L

64.0mm H x 112.8mm D x 431.8mm L

POWER:

12 - 14 VDC, 1.4 AMPS per pair.

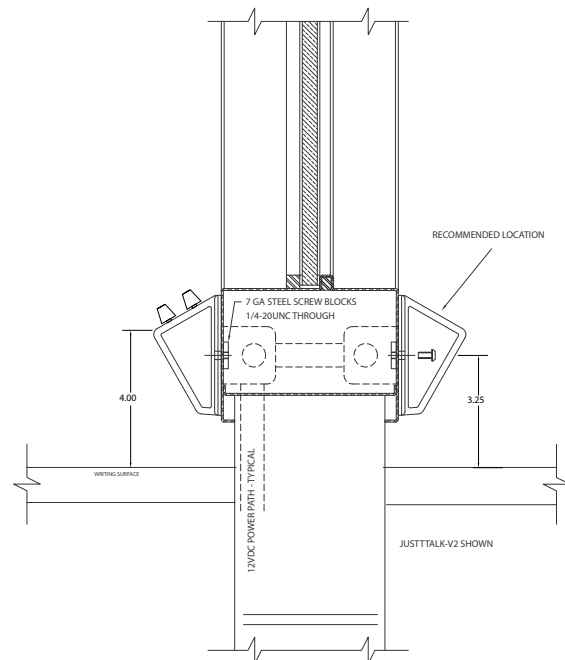
.35 INCH (NOMINAL) CAST ALUMINUM, SEMI-GLOSS BLACK

(JUSTTALK-V2 SHOWN)

INSTALLATION:

The recommended mounting location is on a 4" high hollow metal window frame sill, centered between sidewall partitions, with the speakers and microphones side pointing down towards the countertop reflective surface.

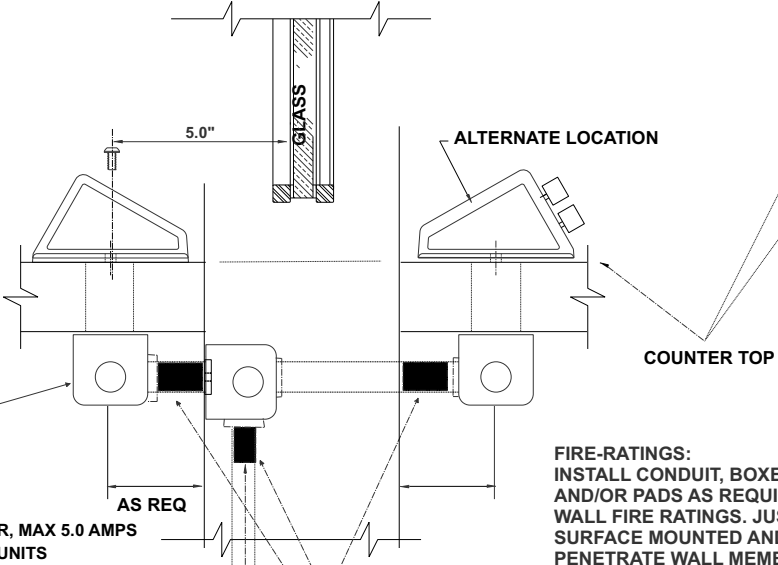
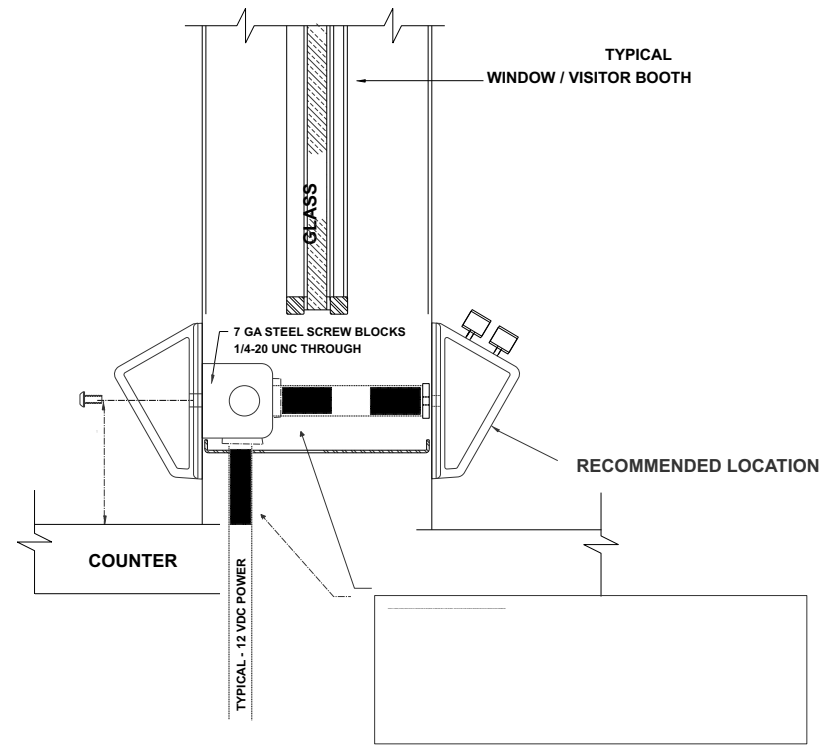
An alternate mounting location is upon the countertop, centered between sidewall partitions, with the speakers and microphones side facing towards the viewing window.



NOTE: Due to Full Duplex (two-way) audio, maximum available volume levels may be limited by room acoustics (hard surfaces), that could require added acoustic dampening materials to correct.

The Sign of Excellence

**MODEL - JUSTTALK-V2
 DUPLEX TALK "THRU THE GLASS"
 TYPICAL INSTALLATION / HOOK-UP**



TYPICAL - 12 VDC POWER, MAX 5.0 AMPS
 WILL SUPPLY 3 PAIR OF UNITS

ACOUSTIC & FIRE BLOCKS:
 INSTALL FIRE-STOP PUTTY OR PADS OR
 ACOUSTIC FOAM IN EACH CONDUIT AS
 REQUIRED TO MINIMIZE ACOUSTIC (SOUND)
 TRANSFER THROUGH CONDUITS CAUSING
 FEEDBACK.

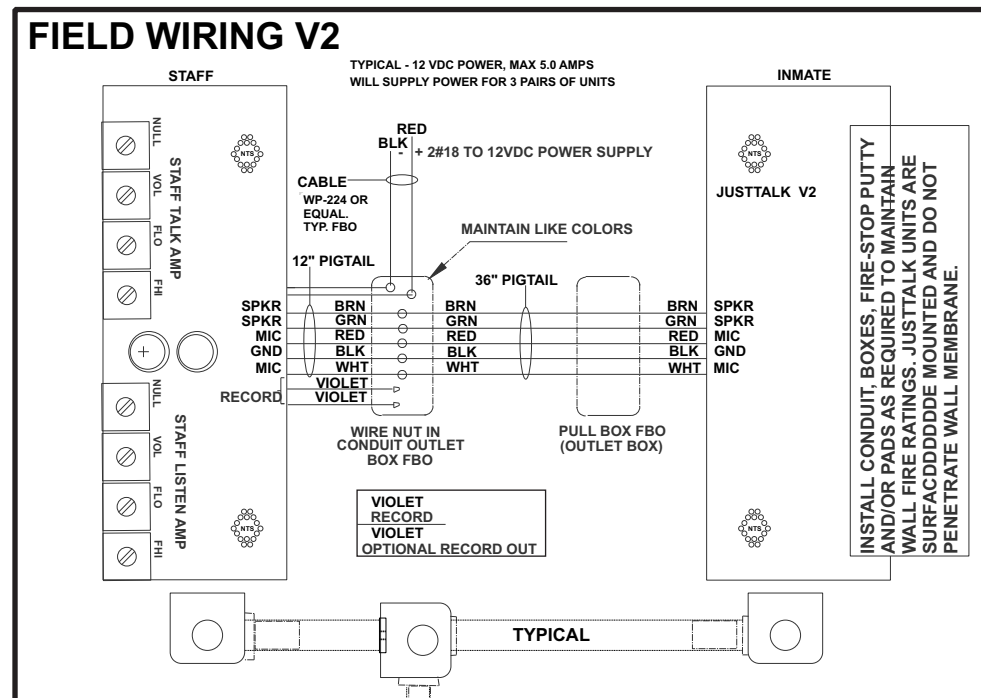
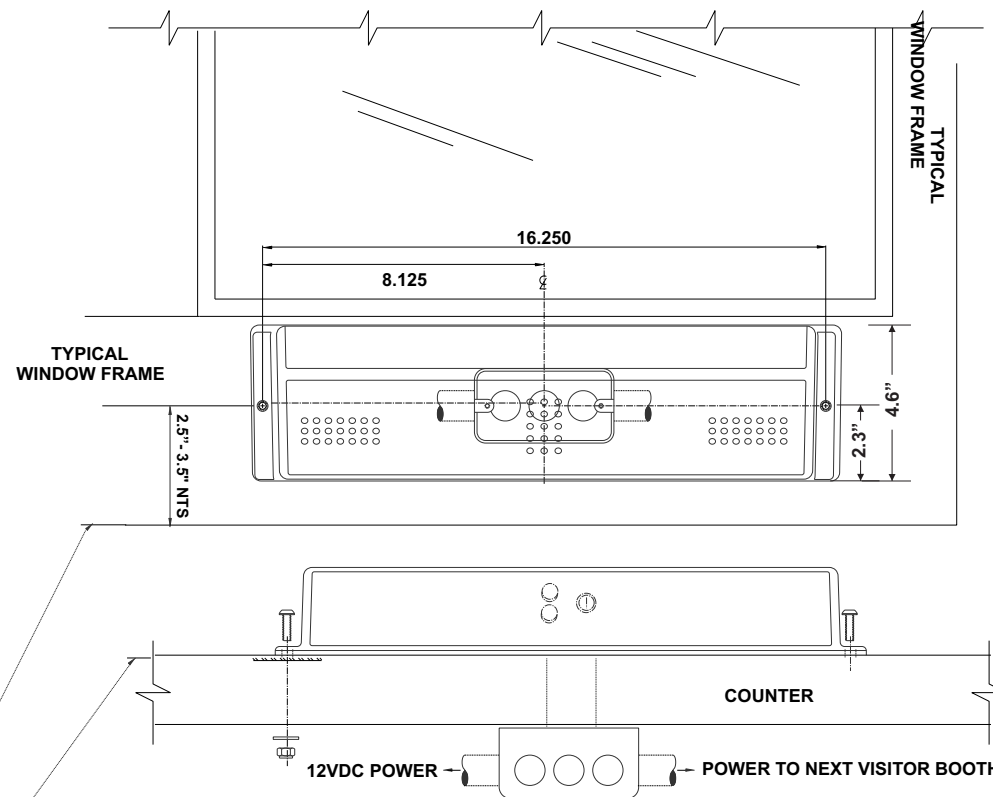
FIRE-RATINGS:
 INSTALL CONDUIT, BOXES, FIRE-STOP PUTTY
 AND/OR PADS AS REQUIRED TO MAINTAIN
 WALL FIRE RATINGS. JUSTTALK UNITS ARE
 SURFACE MOUNTED AND DO NOT
 PENETRATE WALL MEMBRANE.

FOOTPRINT - 4.5"d X 17.0"w
 REQUIRED - 12 VDC POWER SUPPLY, 1200 MA - NOT INCLUDED

#JUSTTALK : BASE PAIR
 RECOMMENDED FOR VISITATION.
 CONTINUOUSLY OPEN MIKES, FIXED "VOLUME"

#JUSTTALK-M : RECOMMENDED FOR "ATTORNEY CLIENT" USE.
 ATTORNEY UNIT INCLUDES A CLIENT SIDE "SILENCE"
 SWITCH AND AN ATTORNEY SIDE "PRIVACY" SWITCH
 RECORDING (LINE OUTPUT) IS AN OPTION.

#JUSTTALK-V2 RECOMMENDED FOR "ATTORNEY/STAFF CLIENT" USE.
 UNIT INCLUDES CLIENT/STAFF SIDE VOLUME
 CONTROLS ENABLING ATTORNEY/STAFF TO ADJUST
 VOLUME WITHOUT COMPLETELY SILENCING INMATE.
 RECORDING (LINE OUTPUT) IS AN OPTION.



SECURE-TECH.COM
 DETENTION TECHNOLOGY PRODUCTS
 Manufactured by:
 ETECH CONTROLS CORPORATION
 4051 ALVIS COURT #3
 ROCKLIN, CALIFORNIA 95677
 PHONE: (916) 630-1300
 WWW.SECURE-TECH.COM

**"JUST TALK" FULL-DUPLEX
 TALK-THROUGH VISITATION
 INTERCOM CONSOLES.
 INSTALLATION DETAILS.**

SCALE
AS NOTED

CREATION DATE
02/21/00

DRAFTED BY
DW

DESIGNED BY
DW

REVIEWED BY
DW

REVISIONS

REV #	DATE	BY	DESCRIPTION
1	10/14/04	DW	ENLARGE HOOKUP DWG
2	02/14/05	DW	ADDRSS CHANGE CHANGE ADDRESS
3	04/21/2013	DW	ENLARGE HOOKUP DWG "V2"
4			

TITLE
JUSTTALK
INSTALLATION

WORKING DATE
06/02/20

FILE #
GENERAL.DWG

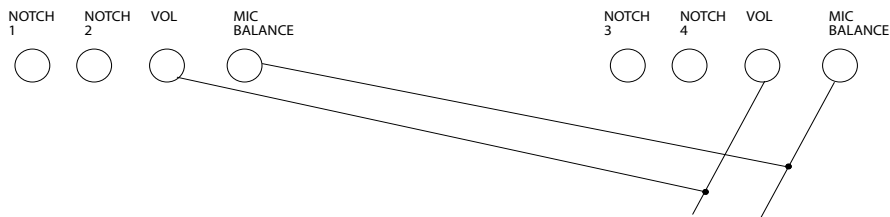
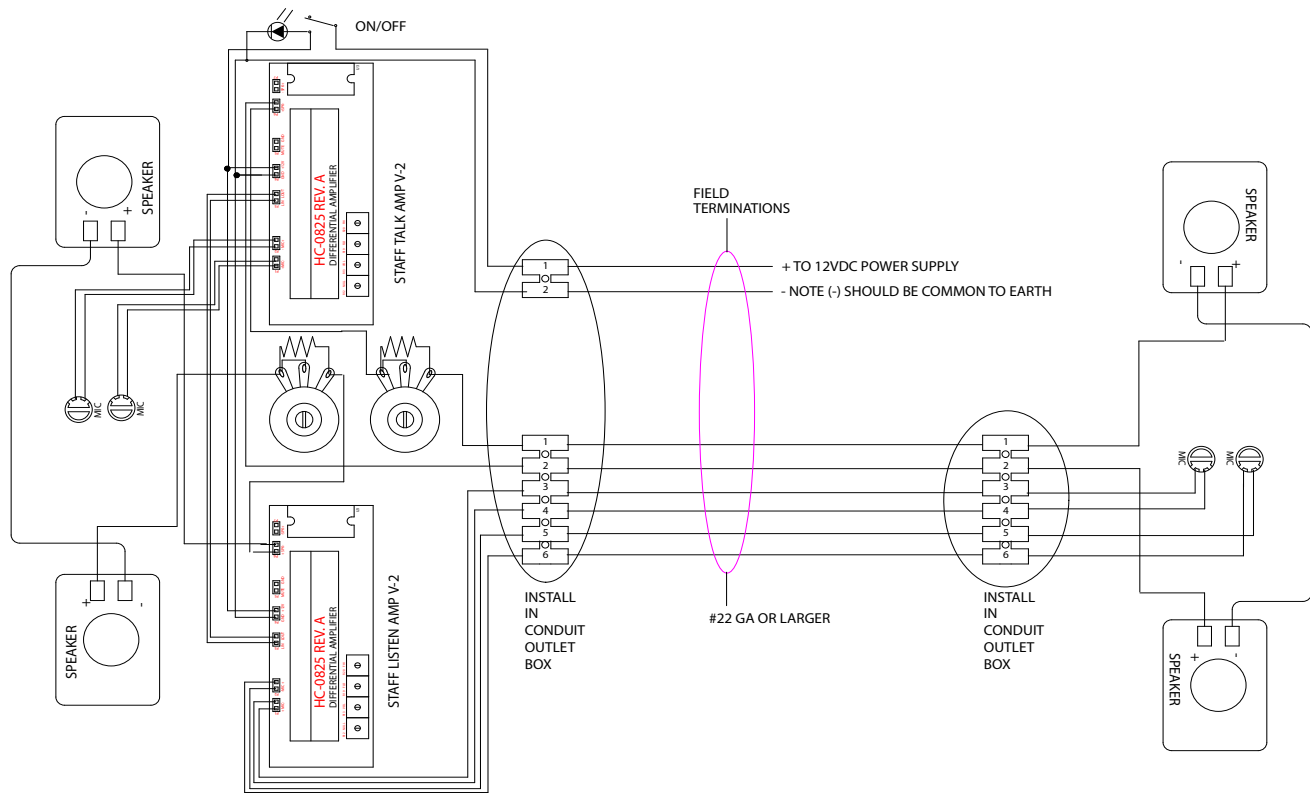
JOB #
INSTALL

DRAWING #
JUSTTALK

MODEL: JUSTTALK-V2

DUPLIX TALK THROUGH COMMUNICATOR

INSTALLATION DETAILS / HOOK-UP DIAGRAM



ADJUSTING JUSTTALK UNITS – CLOSE DOORS AND WINDOWS -

Units are shipped with factory operating settings and should require only minor adjustments. If feedback does occur, go to steps #1 and #5, use small increment steps of tuning volume and notch filters.

The adjustments require a small "flat blade" screwdriver –

Remove 8 set screws for access to internal adjustment pots – the right side 4 adjustments are for client side station.

Note: tapping housing near mike with a finger will aid in adjusting by providing a reference level. If adjustment steps #3 and #5 does not clear the feedback, the following is the full re-calibration procedure.

Be consistent - be patient.

Set external volume knobs - fully clockwise (max volume setting) upper knob is client listen

Set internal volume pots - mid-way

Set notch filter pots -mid-way

Initially retain factory internal mike pot settings (see step #2)

Power up (ring LED illuminates)

If feedback occurs -

1. Reduce volume – adjust volume pots clockwise until feedback is eliminated – alternate between the two amplifiers so both are approximately at the same volume level –
 - a. Adjust to highest volume -
2. Adjust mike pot balance on each unit – alternate between the two amplifiers so both are approximately at the same volume level –
 - a. Adjust to highest volume –

Alternate adjustments between steps #3 and #4 -

3. Increase volume – adjust internal volume pots counterclockwise until feedback re-occurs. Try to keep both amplifiers at same volume level. When feedback is just starting, go the step #4.
4. Adjust notch filter pots until the feedback frequency is muted – begin with notch pot #4 to match the lowest frequency (where possible).

Continue with step #5.

5. Repeat steps #3 and #4 for each feedback frequency

There are four notch filters (two on each amplifier) – each one will mute a different feedback frequency.

Making small adjustments between testing will be to your benefit –

Units are calibrated for maximum volume. Adjust external volume knobs for desired operating volume.

Replace 8 set screws –