



# SECURE-TECH

DETENTION ELECTRONIC SYSTEMS  
ETECH CONTROLS CORPORATION - MANUFACTURER  
4051 ALVIS COURT #3, ROCKLIN, CALIFORNIA, USA 95677  
TEL (916) 630-1300 • FAX (916) 630-1100 • FREE (800) 800-2523

MODEL-  
'SECURE-COM'

HIGH-SECURITY, ADA COMPLIANT, HANDS-FREE 'TALK-THROUGH' INTERCOMS  
FOR CONTROL ROOM, VISITATION, DIRECT SUP., PHARMACY & BANK 'CASH-DRAWER', KIOSK



- ADA Amplified Visitation Intercom System.
- 4-Level Pushbutton Volume Controls x2.
- Volume Levels "Auto-Reset" per ADA.
- High-Security Anti-Ligature Design:  
Tamper, Dust and Water Resistant.
- Anti-Ligature tamper-grills standard (3-layer),  
Ligature-proof, 5-layer available, add "-L".
- Intercom "Talk" via staff-controlled PTT, or fully  
Handsfree VOX option.
- Stainless-Steel 22ga. standard, 16ga. and  
11ga. available.

- Standard 2-Gang Box Mounting.
- Optional Record Output (add "-R").
- Fully Pluggable Field Wiring. EZ-Install plug  
harnesses available (38" & 57").
- Call-in Tone, and optional 'Privacy Beep' (add "-B").
- Two (2) freq. adjustable Anti-Feedback Notch-Filter
- Adv. VOX switching, with Hi and Low Anti-VOX..
- Six (6) on-board Status LEDs for Install & Maint.
- 2-Year Factory Warranty Standard.

## FUNCTIONAL DESCRIPTION:

Secure-Tech.com brand, SECURE-COM "SC" Series, high-security and detention-grade 2-way Intercom Stations are designed to provide a modern and attractive, amplified talk/listen and ADA compliant voice communication solution for security, vandal and safety challenged locations. Secure-Com Intercom Station provide clear, high quality "Through-the-Glass" (typical install) communication between any two points.

Integrated antifeedback filers and (optional) advanced VOX/AntiVOX circuitry facilitates instation in acoustically noisy and/or "close" installations.

Designed from the ground up for economical and simplified stand-alone installation in 2-gang standard electrical boxes, "Secure-Com" Intercom Systems are a compact, powerful and flexible option for all new, and retrofit, ADA, Institutional, Detention and other High-Security Communication needs.

All Secure-Com Series Intercom Station models include, as standard, comprehensive ADA-related features to facilitate hearing, manipulation and safety. Series option include fully pluggable installation, integrated telephone handsets for privacy, automatic 2-way hands-free speech, enhanced Ligature (suicide) protection, and recording output.

Install note: an exterior rated, surface-mount 18-gauge Stainless-Steel box (#SC-BX2SS) is available for surface and/or exterior pedestal mounting of Secure-Com series intercom station.

Secure-Com series Intercoms are robust, ADA-Compliant, stand-alone, 2-gang, flush mounted communication systems, designed to be tamper-proof, ligature-proof, water and dust resistant, and reliable.



# SECURE-TECH

DETENTION ELECTRONIC SYSTEMS  
ETECH CONTROLS CORPORATION - MANUFACTURER  
4051 ALVIS COURT #3, ROCKLIN, CALIFORNIA, USA 95677  
TEL (916) 630-1300 • FAX (916) 630-1100 • FREE (800) 800-2523

MODEL-  
'SECURE-COM'

HIGH-SECURITY, ADA COMPLIANT, HANDS-FREE 'TALK-THROUGH' INTERCOMS  
FOR CONTROL ROOM, VISITATION, DIRECT SUP., PHARMACY & BANK 'CASH-DRAWER', KIOSK

Secure-Com Series Intercom Station Models are available with various SS Faceplate gauge and architectural finish options, as well as available Telephone, Tamper and VOX features (see PartNo matrix below). Faceplate options include high-security gauges (22ga. .030" [standard] and 16ga. .063" SS), as well as heavy detention 11 gauge (.125" SS). Stainless Steel Faceplates are typically provided with horizontally grained #2B finish.

Note: Arch. #4 finish available as special order (call).

Each SECURE-COM series, stand-alone Intercom System is comprised of one MASTER (#SC-M), and one FIELD (#SC-F), SECURE-COM Intercom Station, with all described system controls and function integrated into the advanced 2-Gangbox mounted #SC-M Master-Station. A fully configured, 2-gang mounted, SECURE-COM model #SCM

Master Intercom Station includes two (2) Integrated ten (10) wa Amplifiers, two (2) independent pushbutton controlled 4-level ADA compliant Volume Controls, manual PTT and also fully automatic VOX/Anti-VOX speech Talk/Listen Controls, Field Call-In Tone (Privacy tone avail.), dual full-freq. adj. notch filters for An-Feedback (assists close installations), remote Recorder Output, seven (7) system status LEDs to facilitate install & servicing, durable stainless-steel construction, anti-tamper construction and fully pluggable field wiring.

Simplified installation: Fully pluggable 'EZ Install' wiring harnesses are now available for "close" installed Stations: Easily plug-connect the optional 6-wire factory "EZ" wiring harness from #SC-M Master to #SC-F Field IC Station (38" and 57" factory "EZ" harnesses are available, #SC-CBL-EZ38, and #SC-CBL-EZ57, ¾" conduit min.).

The optional VOX (Voice Operated Switching) module's speech circuitry has been optimized to allow speech even in difficult, high-noise environments, with both VOX adjustments, and also separate high and low ambient Anti-VOX adjustments provided, to facilitate reliable and controlled, "natural" highspeed switching of the Talk/Listen circuit during 2-party, 2-way speech in difficult areas.

Robust ADA related compliance features include the following:

1. Pushbutton, "no-twist" volume controls provided on all Master and Sta Stations.
2. Amplified Listening: Four (4) levels of ADA amplified volume control are provided standard (addl. levels are available by special order), independently pushbutton adjustable for each side of the conversation. Amplified listening and volume control is provided for both the Station Speaker, as well as for any (optional) Telephone Handset.
3. Auto-Reset: All user adjusted Volume Levels will "Auto-Reset" to the "minimum" audio level when the Master Station is activated ('ON' button, or Tel. Handset o-hook).
4. Hands-free: When equipped with the optional plug-in VOX Module #HC-0865 (add "-V"), the SECURE-COM Intercom System allows fully hands-free, automatically switched natural two-way speech. Note: A manual PTT (Push-To-Talk) button is provided on each #SC-M Master IC Station for enhanced IC speech control if needed. Note: When equipped with the VOX-Module, all field settings are easily adjustable with the #SC-M Master Station fully mounted (remove protective SS tamper "set" screws to access all ind. VOX, Anti-VOX and [2] An-Feedback Notch Filter adjustments).
5. Amplified Handset with 4-level ADA Volume: The #SECURE-COM 'Telephone' model #SC-MTEL, and model #SC-FTEL (3-gang mount, 2-gang adapter available for existing) Master and Field IC Station types are additionally equipped with a detention-grade, armored-cord, ADA Amplified Telephone Handset for Privacy during communication.

SIZE: \*All Secure-Com Series Stations are 2-GANG-BOX Mount. #SC-M and #SC-F, 2-gang IC Stations: 4.56" H x 4.56" W x 1.75"D #SC-MTEL and SC-FTEL Stations: 4.63" H x 6.375"W x 1.75"D Note: MTEL and FTEL Stations have 3-Gang SS Faceplates, and 2-Gang Box requirements (add 2-anchors for 2-Gang).

POWER: Min. Power Req.: 12 - 14 VDC, 1.25 Amps per System.



# SECURE-TECH

DETENTION ELECTRONIC SYSTEMS  
ETECH CONTROLS CORPORATION - MANUFACTURER  
4051 ALVIS COURT #3, ROCKLIN, CALIFORNIA, USA 95677  
TEL (916) 630-1300 • FAX (916) 630-1100 • FREE (800) 800-2523

MODEL-  
**'SECURE-COM'**

HIGH-SECURITY, ADA COMPLIANT, HANDS-FREE 'TALK-THROUGH' INTERCOMS  
FOR CONTROL ROOM, VISITATION, DIRECT SUP., PHARMACY & BANK 'CASH-DRAWER', KIOSK

## 'Secure-Com' Series, High-Security 2-Gang Intercom Systems

### #SC-M MASTER STATION

22 ga. (.03")  
STANDARD



11 ga. (.122")  
16 ga. (.059")



11 ga. (.122")  
16 ga. (.059")



\*\*2-Gang  
Box Mount

### #SC-F FIELD STATION



\*\*2-Gang  
Box Mount

*The Sign of Excellence*



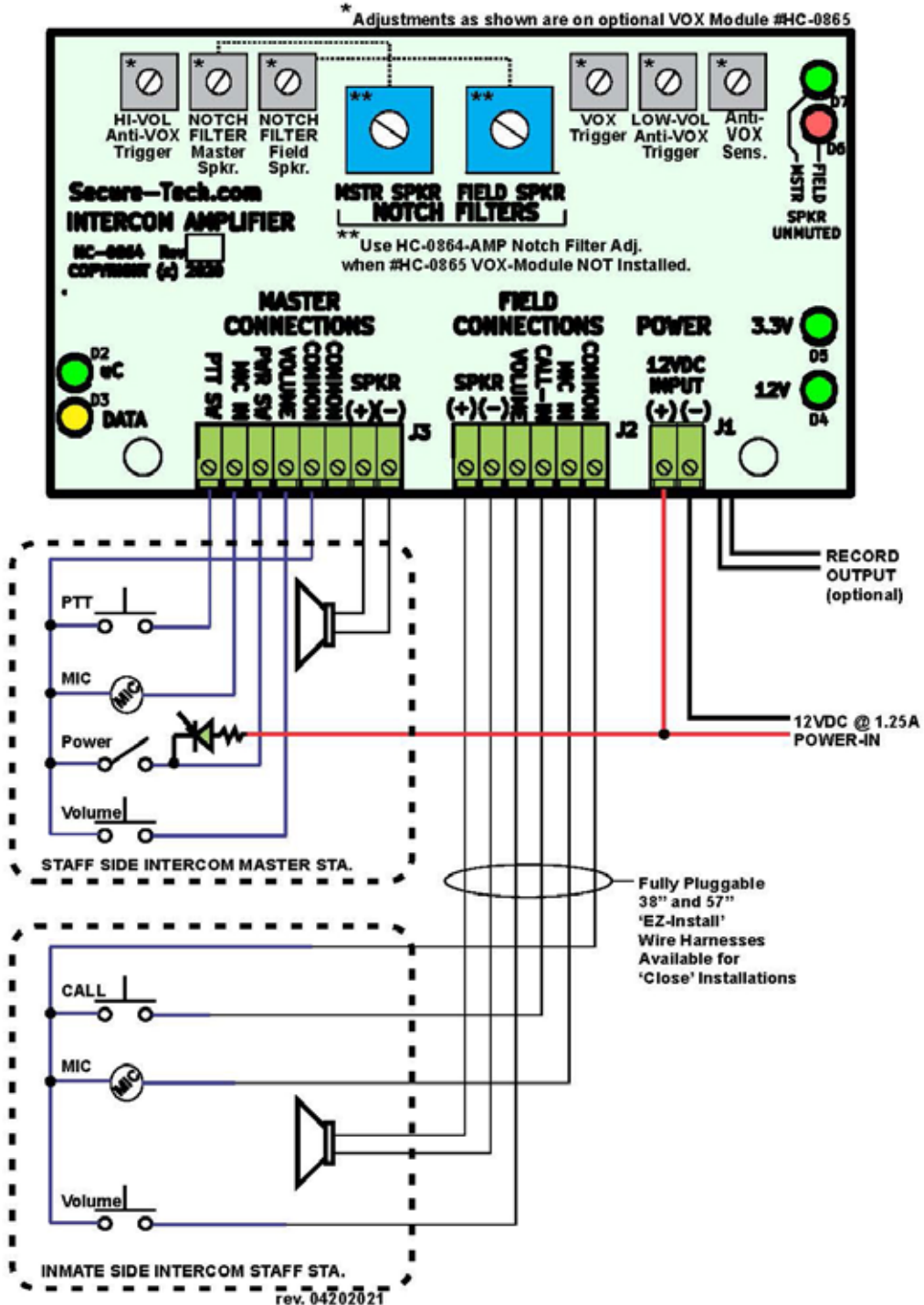
# SECURE-TECH

DETENTION ELECTRONIC SYSTEMS  
ETECH CONTROLS CORPORATION - MANUFACTURER  
4051 ALVIS COURT #3, ROCKLIN, CALIFORNIA, USA 95677  
TEL (916) 630-1300 • FAX (916) 630-1100 • FREE (800) 800-2523

MODEL-  
'SECURE-COM'

HIGH-SECURITY, ADA COMPLIANT, HANDS-FREE 'TALK-THROUGH' INTERCOMS  
FOR CONTROL ROOM, VISITATION, DIRECT SUP., PHARMACY & BANK 'CASH-DRAWER', KIOSK

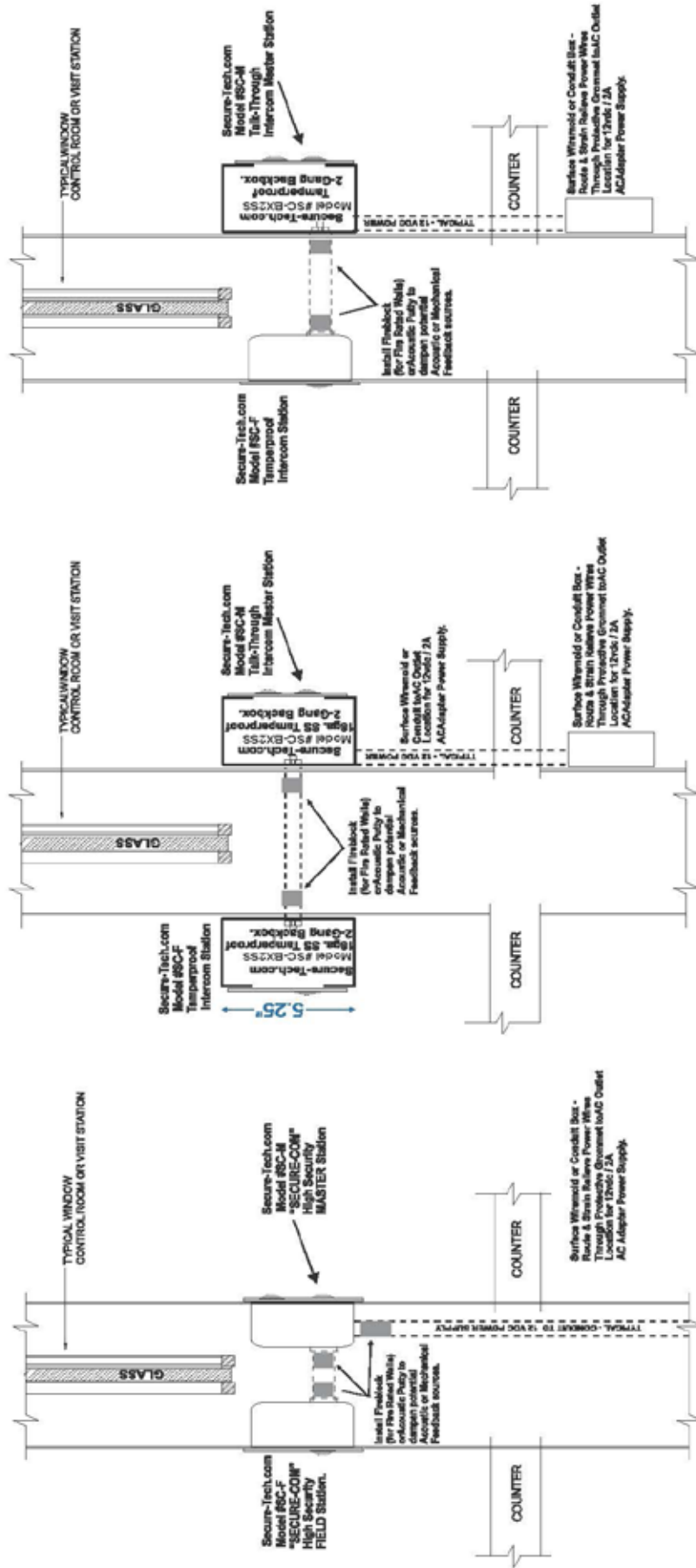
## 'Secure-Com' Series, High-Security 2-Gang Intercom Systems



# SECURE-TECH.COM MODEL: #SC-M AND #SC-F SECURE-COM IC STATIONS

## “SECURE-COM” SERIES, 2-GANG BOX STANDARD INSTALLATION HIGH-SECURITY, TAMPER-PROOF, LIGATURE-PROOF STAINLESS-STEEL DETENTION INTERCOM SYSTEMS

### INSTALLATION DETAILS / HOOK-UP DIAGRAM



INSTALLATION DETAIL FOR NEW CONSTRUCTION

INSTALLATION DETAIL FOR RETROFIT INSTALL USING SURFACE MOUNT TAMPER-PROOF BOXES.

INSTALLATION DETAIL FOR RETROFIT INSTALL USING CUT-IN FLUSH BOX (One-Side).



**SECURE-TECH**  
**DETENTION ELECTRONIC SYSTEMS**  
 ETECH CONTROLS CORPORATION - MANUFACTURER  
 4051 ALVIS COURT #3, ROCKLIN, CALIFORNIA, USA 95677  
 TEL (916) 630-1300 • FAX (916) 630-1100 • FREE (800) 800-2523

**MODEL-**  
**'SECURE-COM'**

**HIGH-SECURITY, ADA COMPLIANT, HANDS-FREE 'TALK-THROUGH' INTERCOMS FOR CONTROL ROOM, VISITATION, DIRECT SUP., PHARMACY & BANK 'CASH-DRAWER', KIOSK**

**'Secure-Com' Series, High-Security 2-Gang Intercom Systems**

**Part Number Ordering Matrix:**

SC		- M		- 22		- 38		- V		- L		- R	
SC STATION TYPE		Faceplate SS Gauge		Ligature Proof Extreme Tamper		Automatic Voice Switching - VOX		Ligature Proof Extreme Tamper		Miscellaneous Options			
<b>M</b> MASTER Station		<b>22</b> 22 ga. SS (.030") (Standard)		<b>38</b> Adds 38" "EZ-Install" Fully Pluggable Wiring Harness Connects #SC-M to #SC-F		<b>V</b> Advanced VOX /Anti-VOX Control and Manual PTT.		<b>L</b> 5-Layer Ligature- Proof Faceplate Tamper System		<b>R</b> Adds #HC-0867 RECORD Module to #SC-M Master Station. Record-OUT typ. 50mv@50kohm.			
<b>F</b> FIELD Station		<b>16</b> 16 ga. SS (.059")		<b>57</b> Adds 57" "EZ-Install" Fully Pluggable Wiring Harness Connects #SC-M to #SC-F		-		-		<b>B</b> Adds PRIVACY-BEEP upon activation to #SC-F Field-Side Station.			
<b>MTEL</b> MASTER Station with Telephone		<b>11</b> 11 ga. SS (.121")		-		Manual PTT Speech Control (standard)		3-Layer Ligature- Resistant Faceplate Tamper System		<b>D</b> Allows Full DUPLEX Amplifier Operation. Used for replacement for older series Just-Talk Amplifier Units.			
<b>FTEL</b> FIELD Station with Telephone				Includes Pluggable 5" Discrete Wire "Pigtails" (standard)						<b>S</b> Adds 45 degree chamfered face plate edge for enhanced safety.			