



# SECURE-TECH

DETENTION ELECTRONIC SYSTEMS

ETECH CONTROLS CORPORATION - MANUFACTURER  
4051 ALVIS COURT #3, ROCKLIN, CALIFORNIA, USA 95677  
TEL (916) 630-1300 • FAX (916) 630-1100 • FREE (800) 800-2523

MODEL  
HC-0826

## INTERCOM AMPLIFIER

### FEATURES:

- 14 WATTS RMS OUTPUT
- ULTRA LOW NOISE LEVEL
- "SOAR" PROTECT TECHNOLOGY
- THERMAL AND OVER VOLTAGE PROTECTION WITH AUTO RESET
- 4 STATUS LEDS
- ADJUSTABLE NOTCH FILTERS
- ALL PLUG CONNECTION
- 3.25" SNAP TRACK MOUNT
- 2 YEAR WARRANTY

### FUNCTIONAL DESCRIPTION:

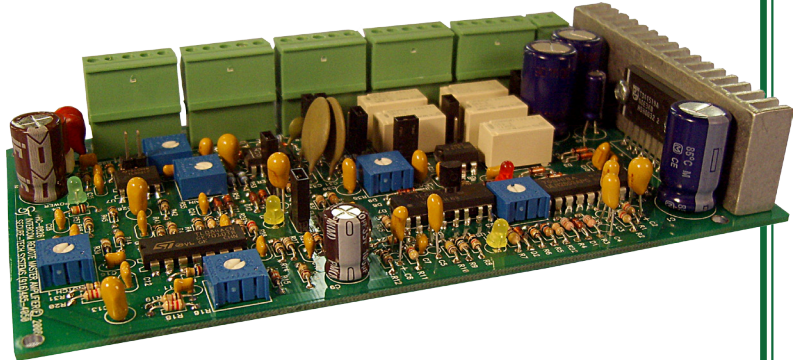
The HC-0826 is a high quality, reliable, long life intercom amplifier, for use with the HC-0644, HC-0845, and HC-0846 intercom selectors. The amplifier is suitable for the high frequency use typically found in detention facility applications.

Switching between Talk, Listen and Mute is virtually noise free. Two adjustable notch filters allow a wide range of speakers to be used by adjusting out the inherent feedback resonances. LEDs are provided to indicate Push-to-talk, In-use, AGC and Power.

For selected loads requiring additional output power, an external amplifier connection is provided. In the external amplifier mode, the unit acts as a controller and the external amplifier serves the load.

The XSEL input may connected to a Nighttime Transfer switch to extend a Central Control room masters' ICBUSS to include a remote housing areas' master ICBUSS as well during nighttime hours. The XSEL input enables / disables the EXTAMP input points. Connect the remote masters' EXTAMP input points to the central masters' ICBUSS by using an HC-0644 audio channel relay, also selected by the Nighttime Transfer switch.

Do not use with external amplifiers that are sized above sixty watts nominal. An external amplifier is recommended for selected loads over eight watts.



The OWNLINE input points connect to the CSPKR output points **whenever the HC-0826 Intercom Amplifier is not INUSE**. OWNLINE may be used as a substation of a remote intercom master to provide master to master communication. Multiple remote masters may be connected.

Safe Operating Area Region, thermal and over-voltage protection circuits are provided. Talk volume level, low frequency roll-off and overall gain adjustments are provided. Audio power output is 14 watts RMS at 2 ohms. Audio range is 400 hz - 10 khz  $\pm$  3 db. Signal to noise ratio is 75 db minimum.

When in standby, the HC-0826 effectively "shuts" down reducing the possibility of noise or hum. If a Secure-Tech station selector module is not used a sinking output must be applied to the INUSE terminal each time a station is selected.

### INPUTS / OUTPUTS:

The inputs and outputs are connected to Phoenix type compression screw terminal plugs sized for 28 to 16 AWG stranded conductors.

### SIZE:

3.25" W x 6.00" L x 1.60" D  
82.6mm W x 152.4mm L x 41.0mm D

### POWER:

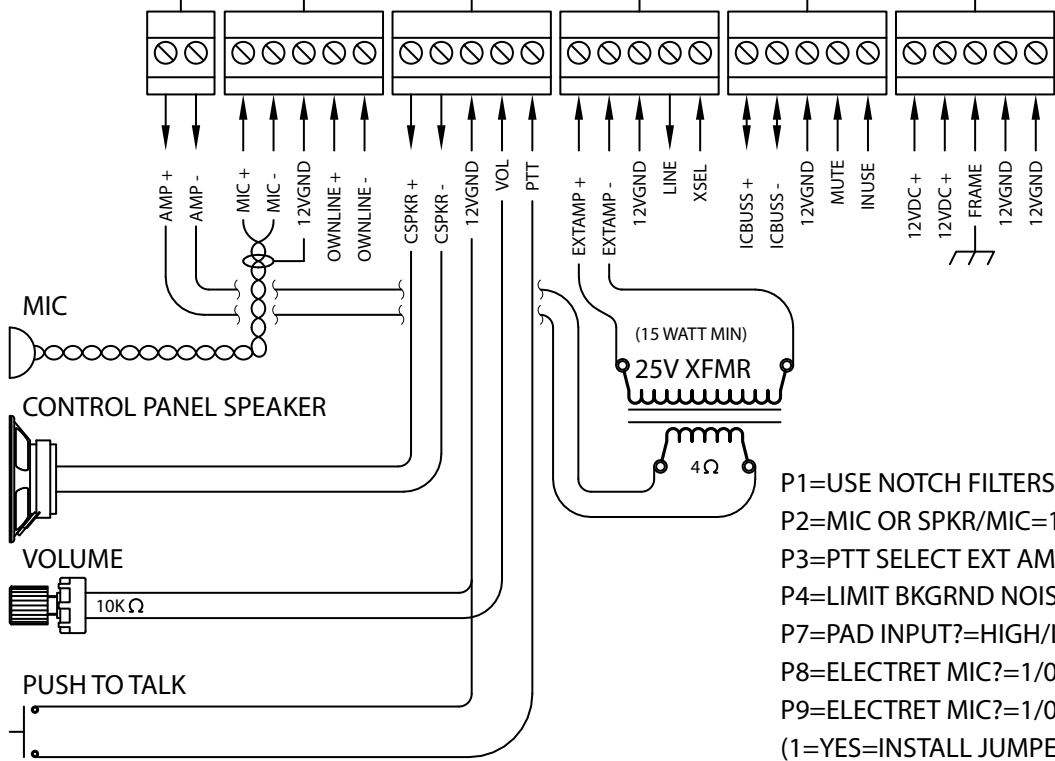
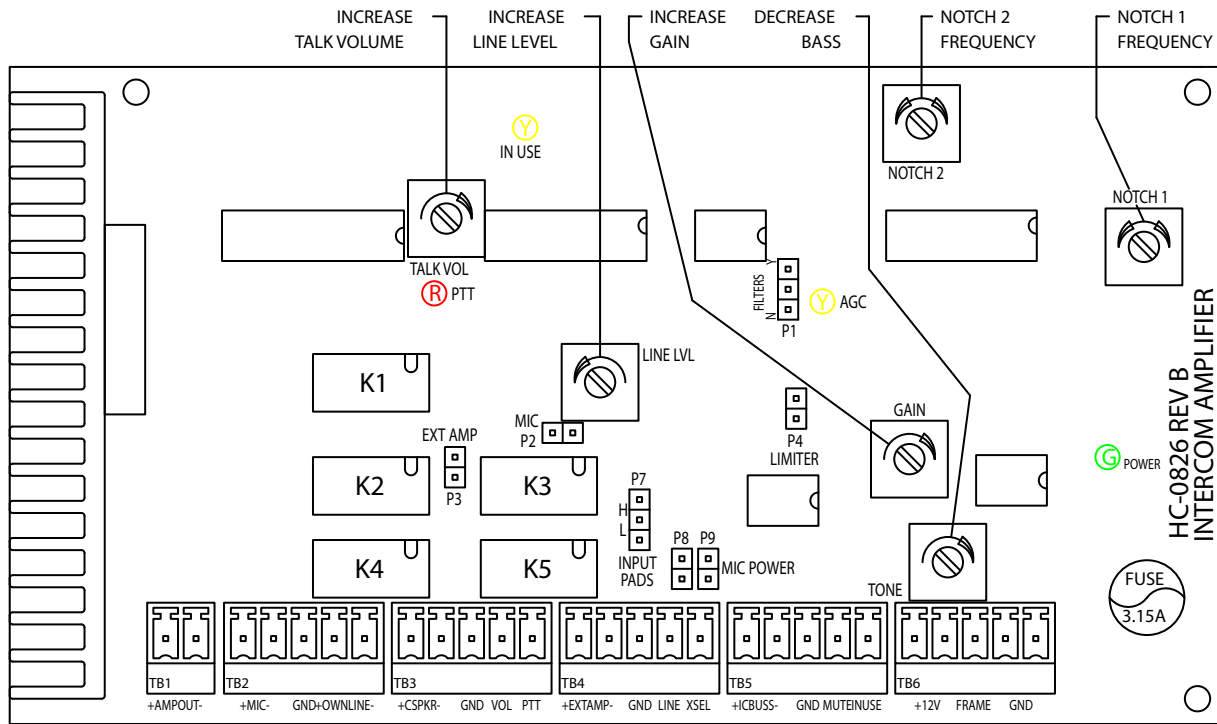
12 - 14 VDC, 200ma idle, 3 amps max

*St* The Sign of Excellence

# MODEL

## HC-0826 INTERCOM AMPLIFIER

### HOOK-UP DIAGRAM



- P1=USE NOTCH FILTERS?=Y/N
- P2=MIC OR SPKR/MIC=1/0
- P3=PTT SELECT EXT AMP?=1/0
- P4=LIMIT BKGRND NOISE?=1/0
- P7=PAD INPUT?=HIGH/LOW/0
- P8=ELECTRET MIC?=1/0
- P9=ELECTRET MIC?=1/0
- (1=YES=INSTALL JUMPER)
- (0=NO=NO JUMPER)