



# SECURE-TECH.com

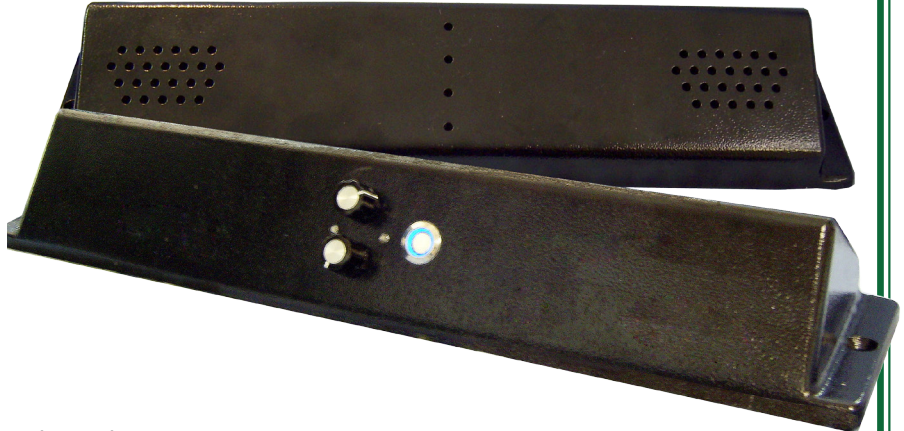
DETENTION ELECTRONIC SYSTEMS  
ETECH CONTROLS CORPORATION - MANUFACTURER  
4051 ALVIS COURT #3, ROCKLIN, CALIFORNIA, USA 95677  
TEL (916) 630-1300 • FAX (916) 630-1100 • FREE (800) 800-2523

## MODEL JUSTTALK

### DUPLEX TALK THROUGH COMMUNICATOR

#### FEATURES:

- FULL DUPLEX COMMUNICATION
- HANDS FREE OPERATION
- STYLISH APPEARANCE
- MUTE AND PRIVACY OPTION
- MONITOR AND RECORD
- TAMPER RESISTANT DESIGN
- **ADA VOLUME CONTROLS AVAILABLE**
- 2 YEAR WARRANTY



#### FUNCTIONAL DESCRIPTION:

The "JUSTTALK" Duplex Talk Through Communicator is designed for staff or attorney/client interview rooms, visitation booths, control room to corridor, and other applications requiring communication through a security glass partition or wall. Full duplex two-way communication is provided. The talk through communicator frequency range is 400 to 4000 Hz  $\pm$  3 db. . Each pair of units is tuned to the installed location environment to maximize sound levels. The result is very natural hands free communication.

**JUSTTALK** The base system consists of a pair of identical units, typically one on each side of a viewing window or wall. Usually used for visitation. Order model **JUSTTALK**.

**JUSTTALK-M** Two switches allow an attorney or staff to silence (off) the voice output from the inmate side; or to mute (off) the staff/attorney's side output for privacy. Provided with audio lineout function to allow monitoring and recording. Order model **JUSTTALK-M**.

**JUSTTALK-V2** Two volume controls allow an attorney or staff to adjust the inmate and staff talk volume from an inmate conversation level to a monitor minimum and a staff/attorney conversation level to mute (off) unit for privacy. Provided with audio lineout function to allow monitoring and recording. Order model **JUSTTALK-V2**. ADD "ADA" for ADA style pushbutton volume control (3-levels).

#### INSTALLATION:

The recommended mounting location is on a 4" high hollow metal window frame sill, centered between sidewall partitions, with the speakers and microphones side pointing down towards the countertop reflective surface.

An alternate mounting location is upon the countertop, centered between sidewall partitions, with the speakers and microphones side facing towards the viewing window.

#### SIZE:

2.52" H x 4.44" D x 17.0" L  
64.0mm H x 112.8mm D x 431.8mm L

#### POWER:

12 - 14 VDC, 1.4 AMPS per pair.  
.35 INCH (NOMINAL) CAST ALUMINUM, SEMI-GLOSS BLACK  
(JUSTTALK-V2 SHOWN)

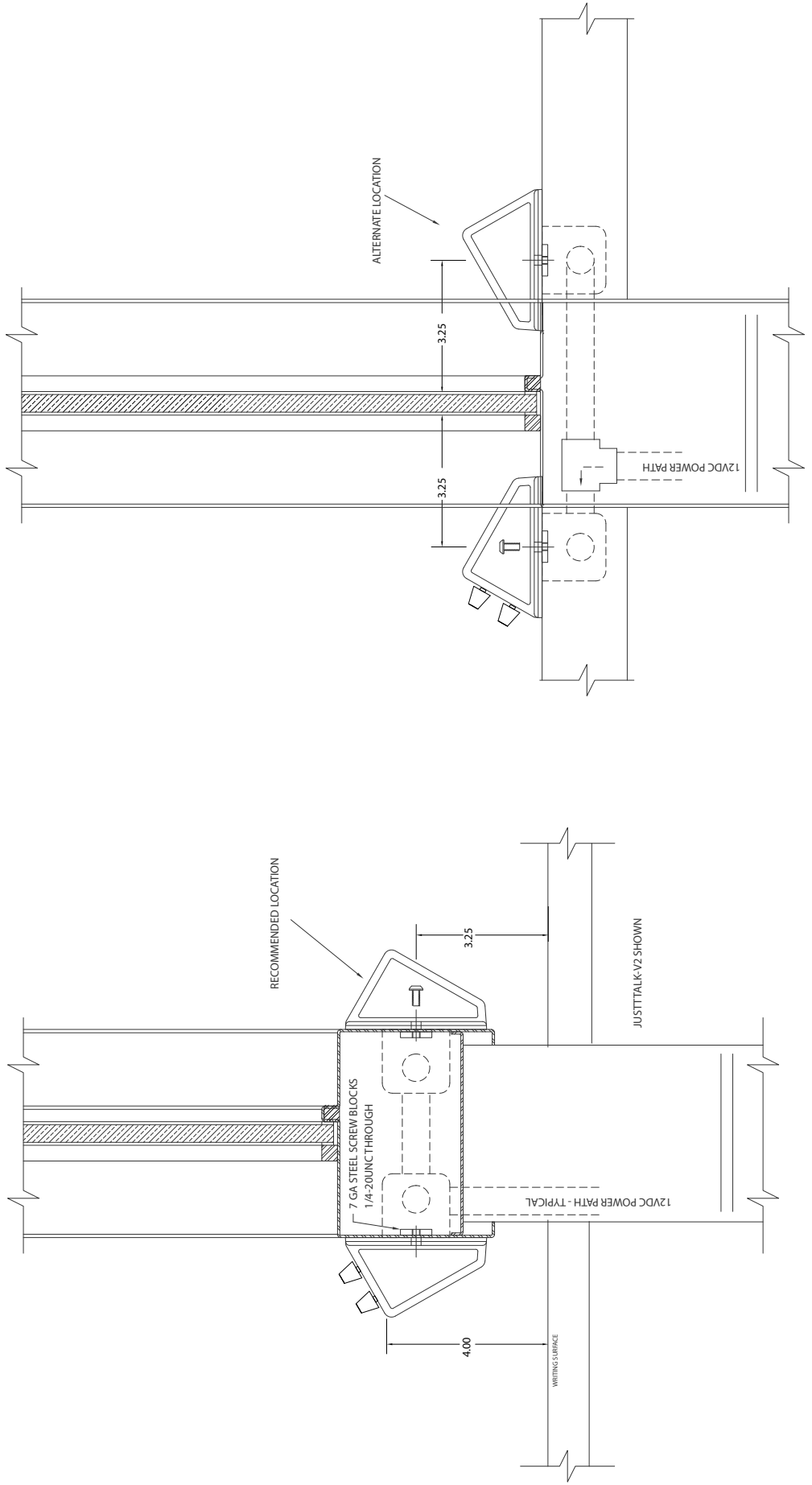
JUSTTALK-VCH-2ADA  
(Handset)



### ADA COMPLIANT

**JUSTTALK-VCH** This model provides a telephone handset (32" armored cord with steel lanyard) mounted on a 2-gang 11 gauge stainless steel plate with metal hanger. An ADA pushbutton volume control (3-levels) is provided on the visitor's side plate for handset volume adjustment. ADD "2ADA" to add an additional volume control pushbutton on the visitor-side stainless steel plate for controlling the inmate-side volume. *Other handset cord lengths are available.*

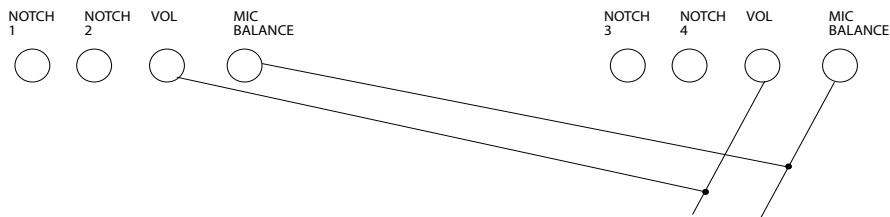
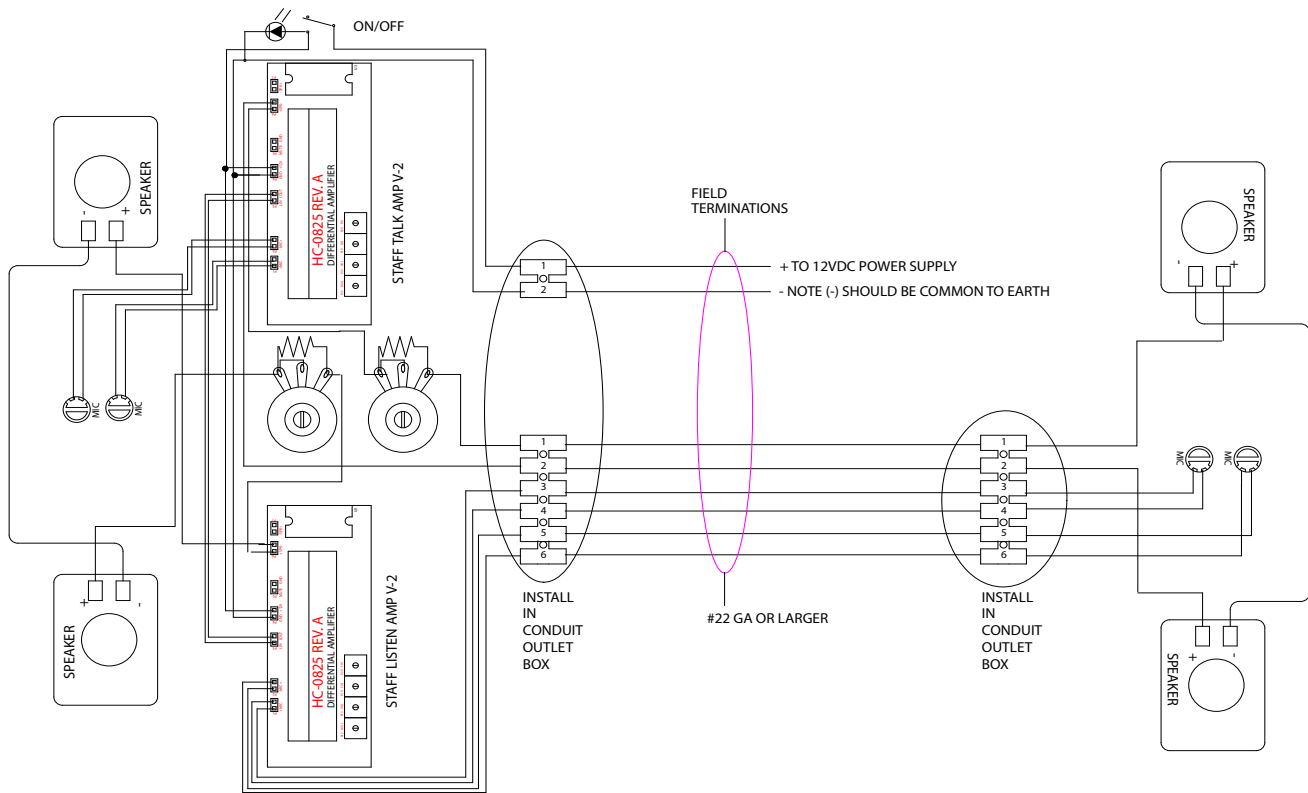
MODEL  
**JUSTTALK**  
DUPLEX TALK THROUGH COMMUNICATION  
TYPICAL INSTALLATION



# MODEL: JUSTTALK-V2

## DUPLIX TALK THROUGH COMMUNICATOR

### INSTALLATION DETAILS / HOOK-UP DIAGRAM



#### ADJUSTING JUSTTALK UNITS – CLOSE DOORS AND WINDOWS -

Units are shipped with factory operating settings and should require only minor adjustments. If feedback does occur, go to steps #1 and #5, use small increment steps of tuning volume and notch filters.

The adjustments require a small "flat blade" screwdriver –

Remove 8 set screws for access to internal adjustment pots – the right side 4 adjustments are for client side station.

Note: tapping housing near mike with a finger will aid in adjusting by providing a reference level. If adjustment steps #3 and #5 does not clear the feedback, the following is the full re-calibration procedure.

#### Be consistent - be patient.

Set external volume knobs - fully clockwise (max volume setting) upper knob is client listen

Set internal volume pots - mid-way

Set notch filter pots -mid-way

Initially retain factory internal mike pot settings (see step #2)

#### Power up (ring LED illuminates)

If feedback occurs -

1. Reduce volume – adjust volume pots clockwise until feedback is eliminated – alternate between the two amplifiers so both are approximately at the same volume level –
  - a. Adjust to highest volume -
2. Adjust mike pot balance on each unit – alternate between the two amplifiers so both are approximately at the same volume level –
  - a. Adjust to highest volume –

#### Alternate adjustments between steps #3 and #4 -

3. Increase volume – adjust internal volume pots counterclockwise until feedback re-occurs. Try to keep both amplifiers at same volume level. When feedback is just starting, go the step #4.
4. Adjust notch filter pots until the feedback frequency is muted – begin with notch pot #4 to match the lowest frequency (where possible).

#### Continue with step #5.

5. Repeat steps #3 and #4 for each feedback frequency
 

There are four notch filters (two on each amplifier) – each one will mute a different feedback frequency.

Making small adjustments between testing will be to your benefit –

Units are calibrated for maximum volume. Adjust external volume knobs for desired operating volume.

Replace 8 set screws –